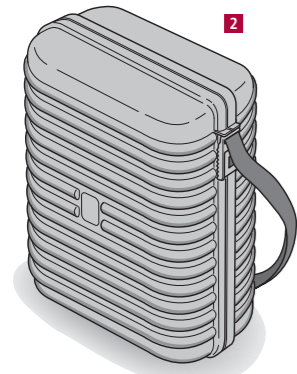
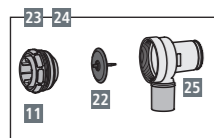
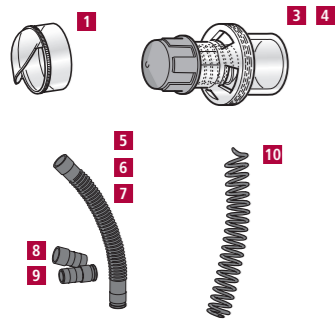


Ambu® Mark IV Resuscitator



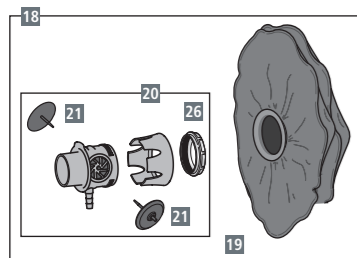
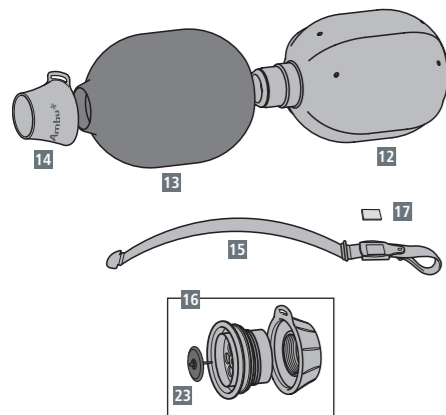
ACCESSORIES

	CAT. NO.
1 Splash guard (optional)	245 000 707
2 Ambu Pack with transparent lid	230 000 001
3 PEEP valve 10	000 137 000
4 PEEP valve 20, for adult	000 213 000
5 Extension tube, 305 mm	209 000 701
6 Extension tube, 915 mm	209 000 702
7 Extension tube, 1068 mm	209 000 703
8 Tube adapter, 28/32 mm	209 000 506
9 Tube adapter, 24 mm female for extension tube	209 000 507
10 Spiral hose for O ₂ Reservoir, EPDM rubber	209 000 508



SPARE PARTS

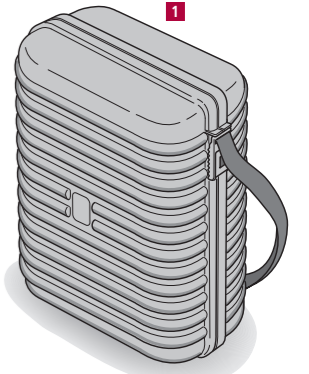
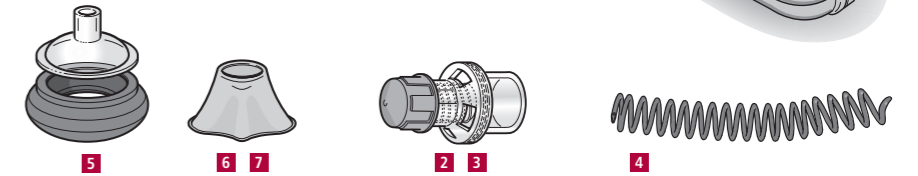
	CAT. NO.
11 Expiratory connector	245 000 511
12 Ambu Mark IV inner bag	304 000 501
13 Ambu Mark IV outer cover	304 000 502
14 Ambu Mark IV connector, complete	304 000 503
15 Ambu Mark IV strap with name plate	304 000 504
16 Ambu Mark IV inlet valve, complete	304 000 505
17 Name plate	304 000 506
18 Oxygen reservoir bag, complete	304 000 507
19 Oxygen reservoir bag	304 000 508
20 Oxygen reservoir bag housing	304 000 509
21 Valve disc for oxygen reservoir bag	245 000 514
22 Valve disc for single shutter patient valve and inlet valve	245 000 509
23 Single shutter patient valve, complete	295 000 501
24 Single shutter patient valve, complete with splash guard	295 000 502
25 Single shutter patient valve housing	295 000 503
26 Serrated nut for O ₂ reservoir (adult)	245 000 517



Ambu® Mark IV Baby Resuscitator

ACCESSORIES

	CAT. NO.
1 Ambu Pack with transparent lid	230 000 001
2 PEEP 10 valve	000 137 000
3 PEEP 20 valve	000 213 000
4 Spiral hose for O ₂ reservoir	209 000 508
5 Transparent silicone face mask, size 0A	000 313 000
6 Rendell-Baker face mask, size 0	000 070 000
7 Rendell-Baker face mask, size 1	000 069 000



SPARE PARTS

	CAT. NO.
8 Ambu Mark IV Baby inner bag	299 000 501
9 Ambu Mark IV Baby outer cover	299 000 502
10 Ambu Mark IV Baby connector, complete	299 000 503
11 Ambu Mark IV Baby strap with name plate	299 000 504
12 Ambu Mark IV Baby inlet valve, complete	299 000 505
13 Name plate	304 000 506
14 Valve disc for inlet valve	245 000 509
15 Oxygen reservoir bag with adapter	299 000 506
16 Adapter for oxygen reservoir bag	299 000 507
17 Oxygen reservoir	304 000 508
18 Oxygen reservoir housing	304 000 509
19 Valve disc for oxygen reservoir bag	245 000 514
20 Single shutter patient valve baby, complete	299 000 508
21 Override cap	299 000 509
22 Single shutter patient valve housing, baby	299 000 510
23 Valve disc for single shutter valve	288 000 506
24 Cap for manometer port	288 000 509
25 O ₂ reservoir tube, 250 mm	288 000 510
26 Expiratory connector	299 000 512
27 Serrated nut for O ₂ reservoir (adult)	245 000 517

